

The background is a vibrant yellow. On the right side, there are several overlapping, rounded rectangular shapes in shades of blue and green. These shapes are connected by a network of yellow lines, some of which are thicker and more prominent. Scattered throughout the composition are several white circles of varying sizes, some of which are partially enclosed by the blue and green shapes. The overall aesthetic is modern and geometric.

Bridges and Major Retaining Structures



BUSCONNECTS DUBLIN CORE BUS CORRIDORS INFRASTRUCTURE WORKS

KIMMAGE TO CITY CENTRE CORE BUS CORRIDOR SCHEME

DRAWING SERIES NUMBER(S)	DRAWING SERIES DESCRIPTION
BCIDD-ROT-STR_IX-0011_XX_00-DR-SS-0001	KIMMAGE TO CITY CENTRE CORE BUS CORRIDOR SCHEME. STRUCTURES. COVER SHEET
BCIDD-ROT-STR_ZZ-0011_XX_00-DR-SS-0001	KIMMAGE TO CITY CENTRE CORE BUS CORRIDOR SCHEME. STRUCTURES. KIMMAGE 01A. GENERAL ARRANGEMENT
BCIDD-ROT-STR_ZZ-0011_XX_00-DR-SS-0002	KIMMAGE TO CITY CENTRE CORE BUS CORRIDOR SCHEME. STRUCTURES. KIMMAGE 01A. SECTIONS
BCIDD-ROT-STR_ZZ-0011_XX_00-DR-SS-0003	KIMMAGE TO CITY CENTRE CORE BUS CORRIDOR SCHEME. STRUCTURES. KIMMAGE 01B. GENERAL ARRANGEMENT
BCIDD-ROT-STR_ZZ-0011_XX_00-DR-SS-0004	KIMMAGE TO CITY CENTRE CORE BUS CORRIDOR SCHEME. STRUCTURES. KIMMAGE 01B. SECTIONS
BCIDD-ROT-STR_ZZ-0011_XX_00-DR-SS-0005	KIMMAGE TO CITY CENTRE CORE BUS CORRIDOR SCHEME. STRUCTURES. KIMMAGE 02. GENERAL ARRANGEMENT
BCIDD-ROT-STR_ZZ-0011_XX_00-DR-SS-0006	KIMMAGE TO CITY CENTRE CORE BUS CORRIDOR SCHEME. STRUCTURES. KIMMAGE 02. PLAN VIEW & SECTIONS
BCIDD-ROT-STR_ZZ-0011_XX_00-DR-SS-0007	KIMMAGE TO CITY CENTRE CORE BUS CORRIDOR SCHEME. STRUCTURES. KIMMAGE 03. GENERAL ARRANGEMENT & SECTIONS
BCIDD-ROT-STR_ZZ-0011_XX_00-DR-SS-0008	KIMMAGE TO CITY CENTRE CORE BUS CORRIDOR SCHEME. STRUCTURES. KIMMAGE 04. GENERAL ARRANGEMENT

Disclaimer
 © National Transport Authority (NTA) 2022. This drawing is confidential and the copyright in it is owned by NTA. This drawing must not be either loaned, copied or otherwise reproduced in whole or in part or used for any purpose without the prior permission of NTA.
 b. This drawing is to be used for the design element identified in the titlebox. Other information shown is to be considered indicative only. The drawing is to be read in conjunction with all other relevant design drawings.
 c. O.S. data used for plans are printed under © Ordnance Survey Ireland Government of Ireland. All rights reserved. Licence Number 2022/OSI_NMA_180 National Transport Authority. All elevations are in metres and relate to OSI Geoid Model (OSGM15) Mean Head. All Co-ordinates are in Irish

Transverse Mercator Grid (ITM) as defined by OSI active local GPS station.
 d. Information concerning the position of apparatus shown on this drawing is based on drawings supplied by the utility owners and/or the utility works contractor, whilst every care has been taken in the preparation of this drawing, positions should be taken as approximate and are intended for general guidance only and no representation is made by the NTA as to the accuracy, completeness, sufficiency or otherwise of this drawing and the position of the apparatus. The information contained herein does not purport to be comprehensive or final as the apparatus is subject to being altered and/or superseded. Recipients should not rely on this information. Any liabilities are hereby expressly disclaimed.

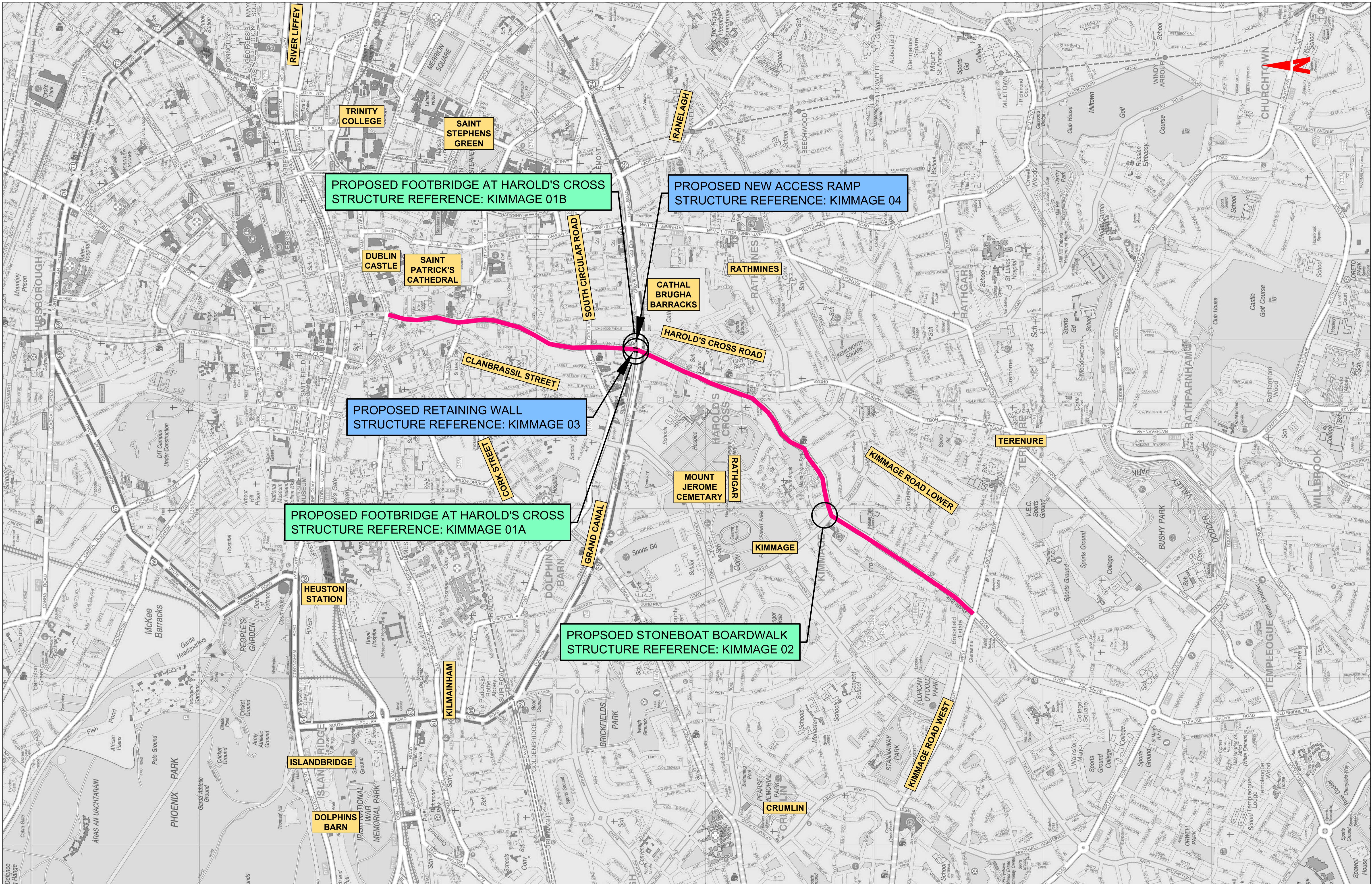
e. The information contained herein has been provided by the NTA but does not purport to be comprehensive or final. Recipients should not rely on the information. Neither the NTA nor any of its directors, officers, employees, agents, stakeholders or advisers make any representation or warranty as to, or accept any liability or responsibility in relation to, the adequacy, accuracy, reasonableness or completeness of the information provided as part of this document or any matter on which the information is based (including but not limited to loss or damage arising as a result of reliance by recipients on the information or any part of it). Any liabilities are hereby expressly disclaimed.



Rev	Date	Drn	Chk'd	App'd	Description
M01	FEB 2023	JVG	EFD	SMG	ISSUE FOR PHASE 4: PLANNING

 Client		 Engineering Designer		
Date FEB 2023	Scale N/A @ A1 N/A @ A3	Drawn JVG	Checked EFD	Approved SMG
Project Code BCIDD	Originator Code ROT	QMS Code		

Programme Title BUSCONNECTS DUBLIN CORE BUS CORRIDORS INFRASTRUCTURE WORKS				
Drawing Title KIMMAGE TO CITY CENTRE CORE BUS CORRIDOR SCHEME STRUCTURES COVER SHEET				
Drawing File Name BCIDD-ROT-STR_IX-0011_XX_00-DR-SS-0001	Sheet Number 1 of 1	Status A	Rev M01	



Disclaimer
 a. © National Transport Authority (NTA) 2022. This drawing is confidential and the copyright in it is owned by NTA. This drawing must not be either loaned, copied or otherwise reproduced in whole or in part or used for any purpose without the prior permission of NTA.
 b. This drawing is to be used for the design element identified in the title box. Other information shown is to be considered indicative only. The drawing is to be read in conjunction with all other relevant design drawings.
 c. O.S. data used for plans are printed under © Ordnance Survey Ireland Government of Ireland. All rights reserved. Licence Number 2022/OSI_NMA_180 National Transport Authority. All elevations are in metres and relate to OS Geoid Model (OSGM15) Mean Head. All Co-ordinates are in Irish Transverse Mercator Grid (ITM) as defined by OSI active local GPS station.
 d. Information concerning the position of apparatus shown on this drawing is based on drawings supplied by the utility owners and/or the utility works contractor, which every care has been taken in the preparation of this drawing, positions should be taken as approximate and are intended for general guidance only and no representation is made by the NTA as to the accuracy, completeness, sufficiency or otherwise of this drawing and the position of the apparatus. The information contained herein does not purport to be comprehensive or final as the apparatus is subject to being altered and/or superseded. Recipients should not rely on this information. Any liabilities are hereby expressly disclaimed.

The information contained herein has been provided by the NTA but does not purport to be comprehensive or final. Recipients should not rely on the information. Neither the NTA nor any of its directors, officers, employees, agents, stakeholders or advisers makes any representation or warranty as to, or accept any liability or responsibility in relation to, the adequacy, accuracy, reasonableness or completeness of the information provided as part of this document or any matter on which the information is based (including but not limited to loss or damage arising as a result of reliance by recipients on the information or any part of it). Any liabilities are hereby expressly disclaimed.

Rev	Date	Drn	Chk'd	App'd	Description
M01	FEB 2023	JVG	EFD	SMG	ISSUE FOR PHASE 4: PLANNING

Client
NTA
 Údarás Náisiúnta Iompair
 National Transport Authority

Engineering Designer
IROD
 IROD & O'DONOVAN
 TVPSA

Programme Title
BUSCONNECTS DUBLIN
CORE BUS CORRIDORS INFRASTRUCTURE WORKS

Drawing Title
 CBC 11
 KIMMAGE TO CITY CENTRE CORE BUS CORRIDOR SCHEME
 BRIDGES & RETAINING STRUCTURES
 KEY PLAN

Date
 FEB 2023

Scale
 1:10000 @ A1
 1:20000 @ A3

Drawn
 JVG

Checked
 EFD

Approved
 SMG

Project Code
 BCIDD

Originator Code
 NTA

QMS Code

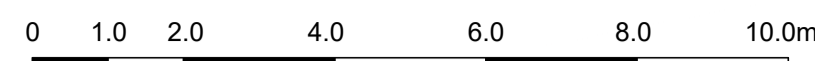
Drawing File Name
 BCIDD-ROT-STR_KP-0011_XX_00-DR-SS-0001

Sheet Number
 01 of 01

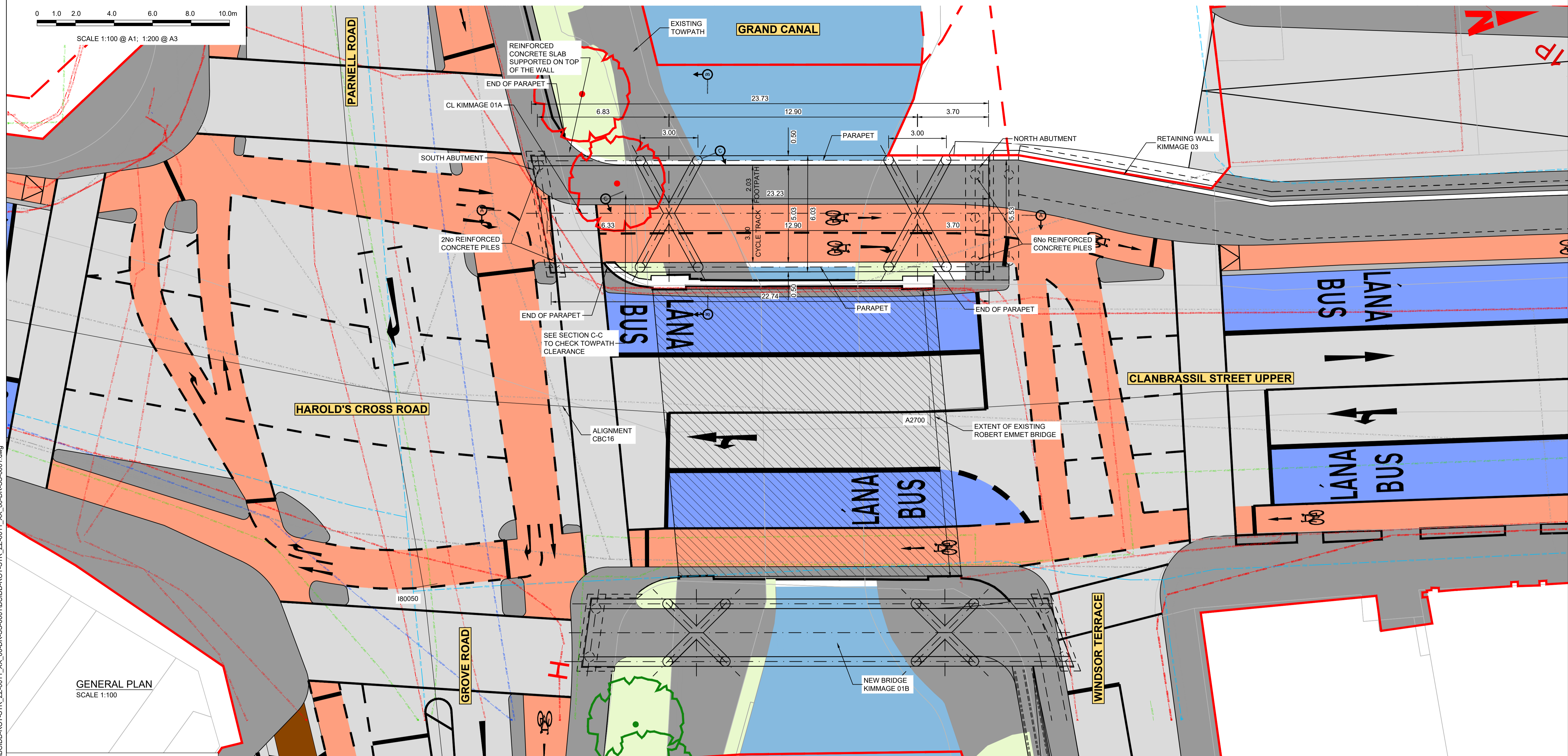
Status
 A

Rev
 M01





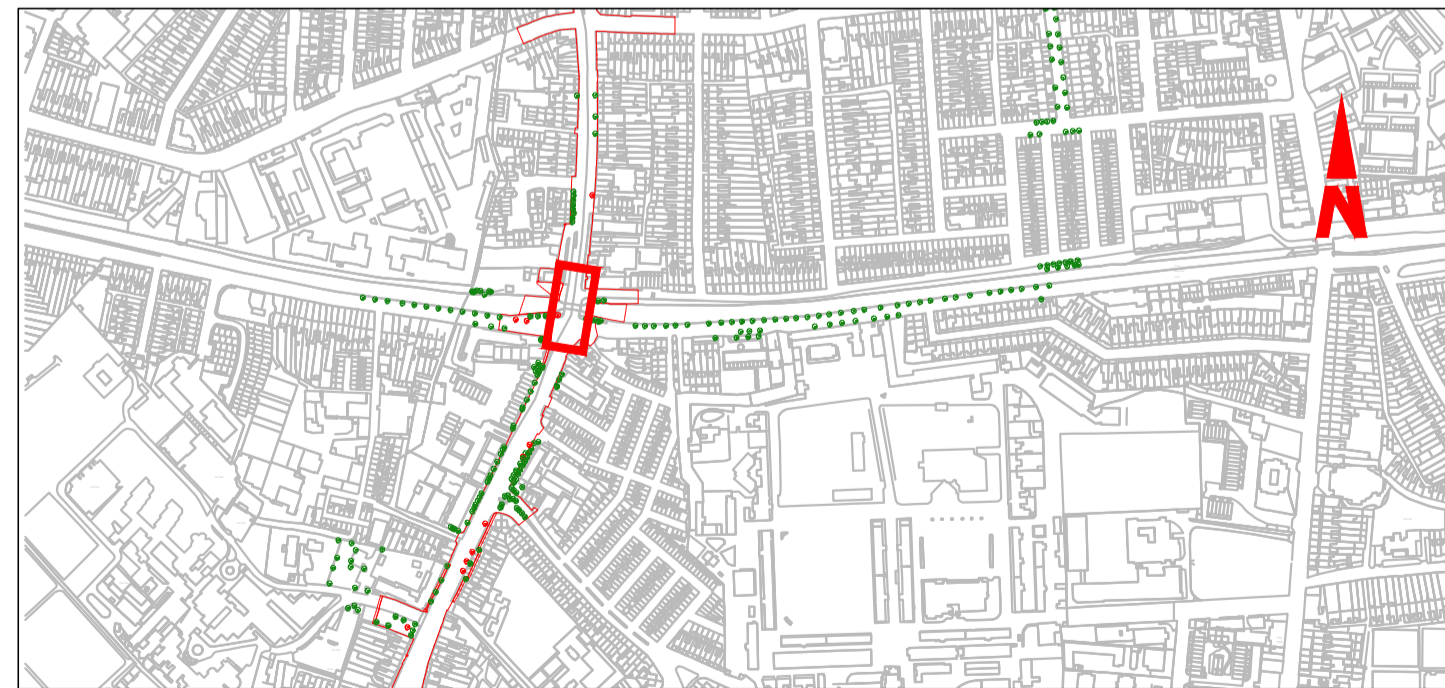
SCALE 1:100 @ A1; 1:200 @ A3



GENERAL PLAN
SCALE 1:100

NOTES:

1. ALL DIMENSIONS ARE IN METRES UNLESS NOTED OTHERWISE.
2. THE GENERAL ARRANGEMENT IS INDICATIVELY ONLY.
3. PRIOR TO THE EXECUTION OF THE WORKS, THE CONTRACTOR MUST CHECK ON SITE THE GEOMETRY AND DIMENSIONS OF THE EXISTING STRUCTURAL ELEMENTS. SHOULD THE CONTRACTOR FIND ANY DISCREPANCY WITH THOSE INDICATED IN THE DRAWINGS, THEN IT SHALL BE COMMUNICATED IMMEDIATELY TO THE PROJECT DIRECTOR PRIOR COMMENCING CONSTRUCTION WORKS.
4. ALL BURIED SURFACES TO BE WATERPROOFED IN ACCORDANCE WITH THE TII SPECIFICATION FOR ROAD WORKS.
5. FOUNDATION DETAILS SUBJECT TO CONFIRMATION OR RECEIPT OF G.I.
6. SAFETY BARRIER IN ACCORDANCE WITH DN-REG-03034
7. STRUCTURAL STEEL ELEMENTS:
- STEEL S355
8. SERVICES SHOWN INDICATIVELY ONLY. THE CONTRACTOR SHALL IDENTIFY THE SERVICES ON SITE PRIOR COMMENCING CONSTRUCTION WORKS.



KEY PLAN

Disclaimer
 a. © National Transport Authority (NTA) 2022. This drawing is confidential and the copyright in it is owned by NTA. This drawing must not be either loaned, copied or otherwise reproduced in whole or in part or used for any purpose without the prior permission of NTA.
 b. This drawing is to be used for the design element identified in the titleblock. Other information shown is to be considered indicative only. The drawing is to be read in conjunction with all other relevant design drawings.
 c. O.S. data used for plans are printed under © Ordnance Survey Ireland Government of Ireland. All rights reserved. Licence Number 2022/OSI_NMA_180 National Transport Authority. All elevations are in metres and relate to OSI Geoid Model (OSGM15) Mean Head. All Co-ordinates are in Irish Transverse Mercator Grid (ITM) as defined by OSI active local GPS station.
 d. Information concerning the position of apparatus shown on this drawing is based on drawings supplied by the utility owners and/or the utility works contractor, whilst every care has been taken in the preparation of this drawing, positions should be taken as approximate and are intended for general guidance only and no representation is made by the NTA as to the accuracy, completeness, sufficiency or otherwise of this information. The information contained herein does not purport to be comprehensive or final as the apparatus is subject to being altered and/or superceded. Recipients should not rely on this information. Any liabilities are hereby expressly disclaimed.
 e. The information contained herein has been provided by the NTA but does not purport to be comprehensive or final. Recipients should not rely on the information. Neither the NTA nor any of its directors, officers, employees, agents, stakeholders or advisers make any representation or warranty as to, or accept any liability or responsibility in relation to, the adequacy, accuracy, reasonableness or completeness of the information provided as part of this document or any matter on which the information is based (including but not limited to loss or damage arising as a result of reliance by recipients on the information or any part of it). Any liabilities are hereby expressly disclaimed.



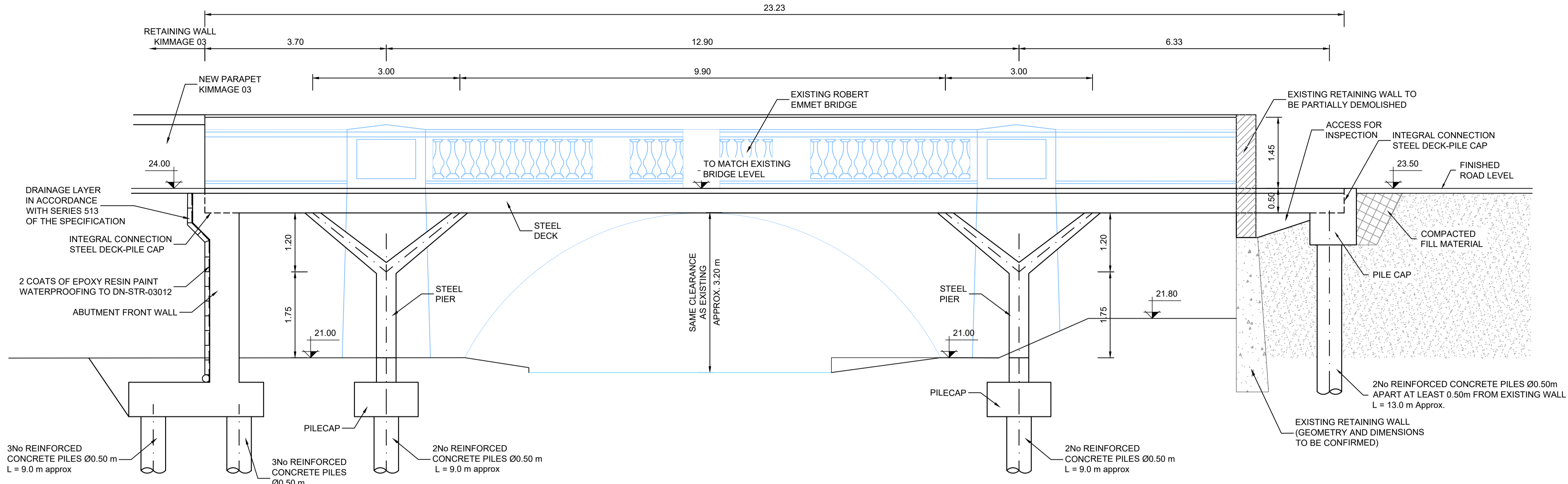
Rev	Date	Drn	Chk'd	App'd	Description
M01	FEB 2023	JGE	EFD	SMG	ISSUE FOR PHASE 4: PLANNING

Client NTA Údarás Náisiúnta Iompair National Transport Authority		Engineering Designer PROD TYPSA		
Date FEB 2023	Scale 1:100 @ A1 1:200 @ A3	Drawn JVJ	Checked EFD	Approved SMG
Project Code BCIDD	Originator Code ROT	QMS Code		

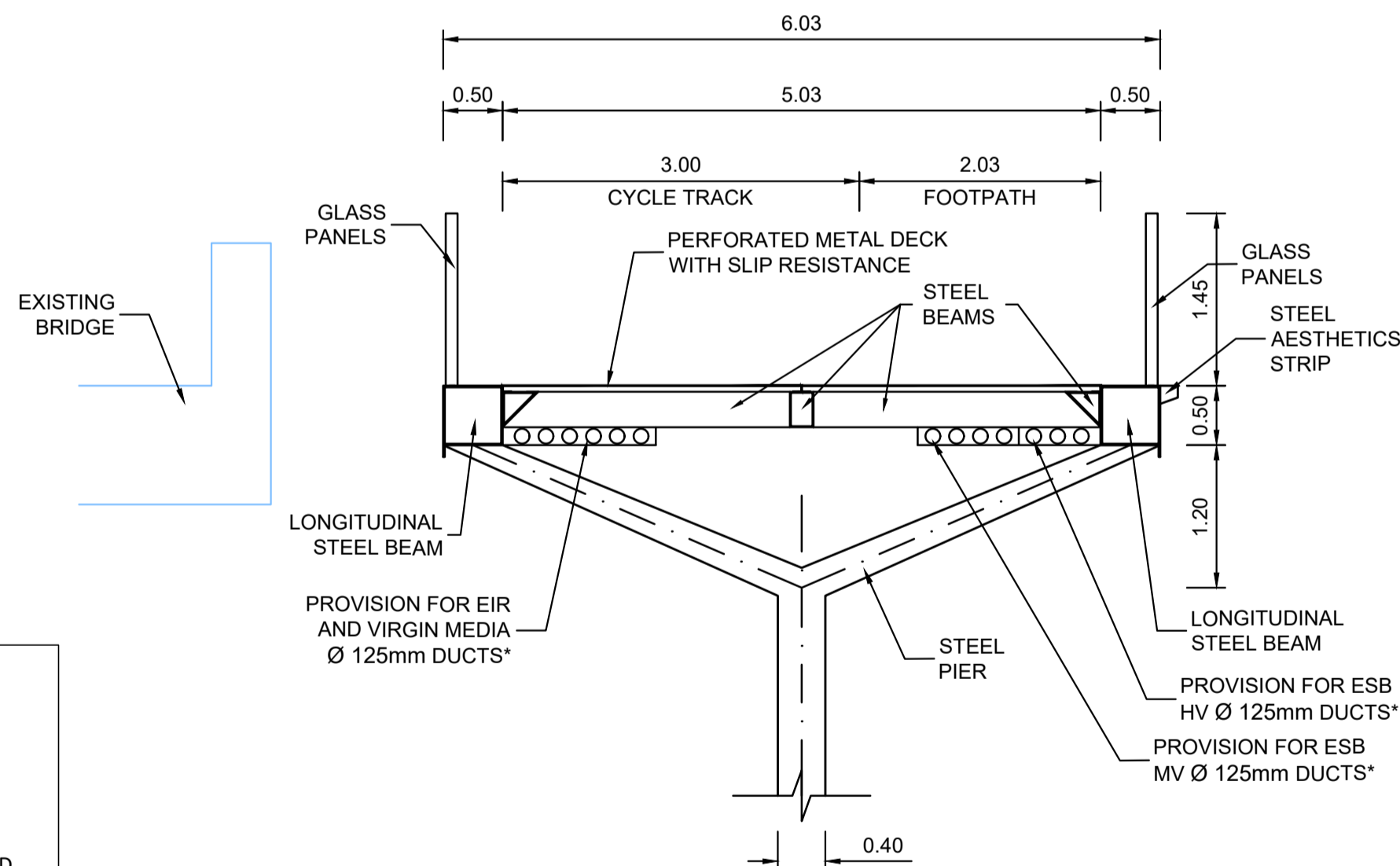
Programme Title BUSCONNECTS DUBLIN CORE BUS CORRIDORS INFRASTRUCTURE WORKS				
Drawing Title CBC11 KIMMAGE TO CITY CENTRE CORE BUS CORRIDOR SCHEME STRUCTURES KIMMAGE 01A. GENERAL ARRANGEMENT				
Drawing File Name BCIDD-ROT-STR_ZZ-0011_XX_00-DR-SS-0001	Sheet Number 01 of 02	Status A	Rev M01	

DO NOT SCALE USE FIGURED DIMENSIONS ONLY

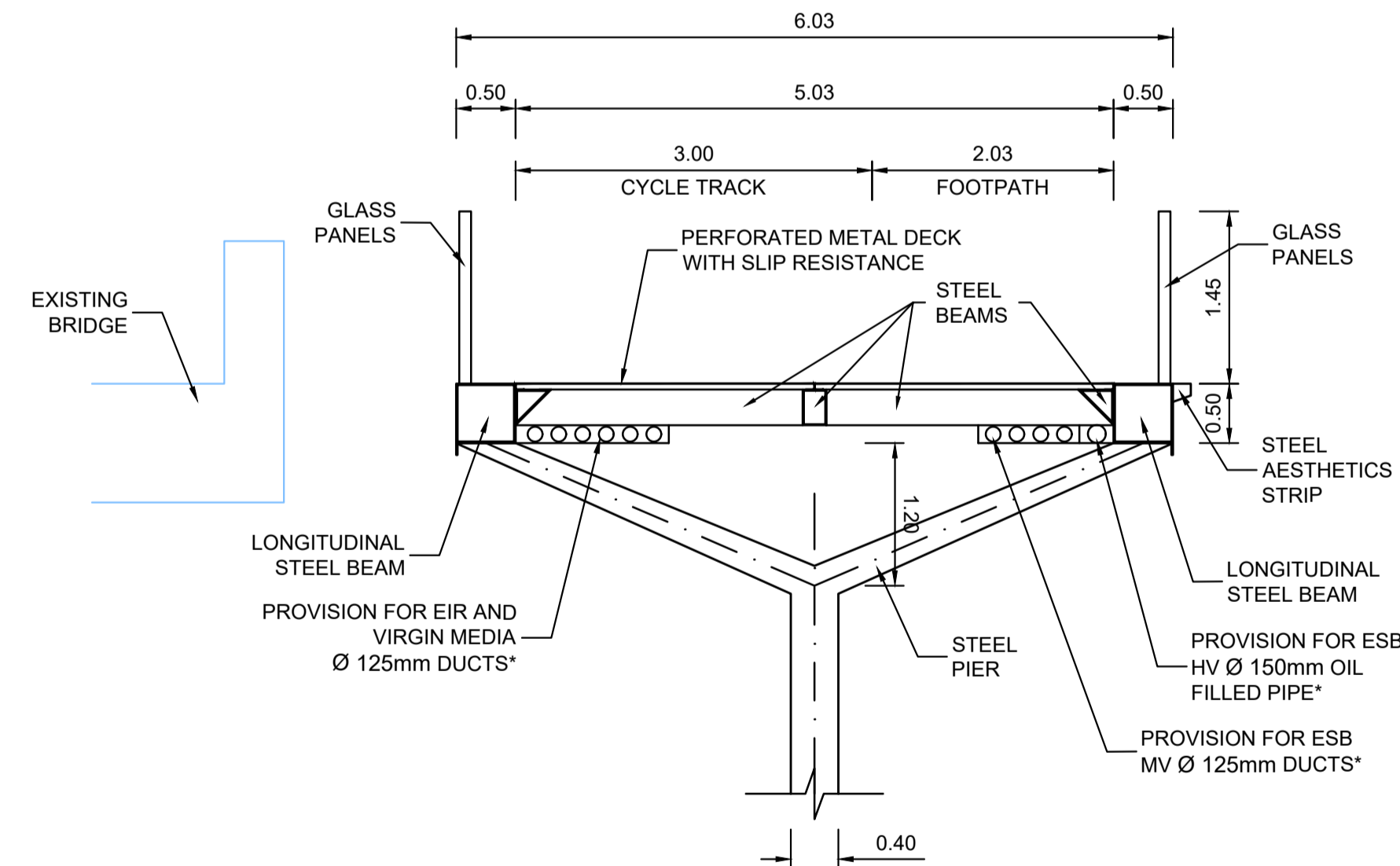
I:\rod\ubarchived\1\multimedia\ROAD\Proj\2019\19117191-04-RECD\TYPSA\2022_12_16_Kimmage Drawings\BCIDD-ROT-STR_ZZ-0011_XX_00-DR-SS-0001.dwg



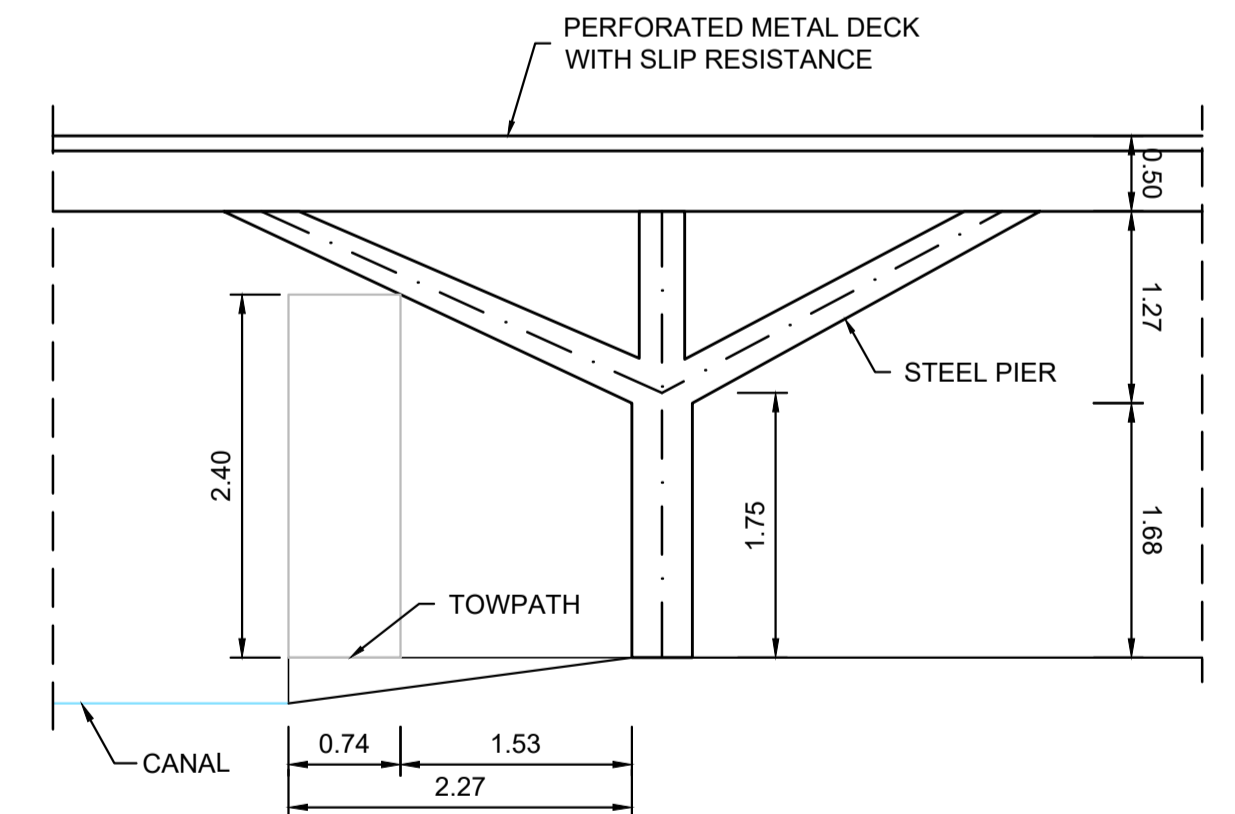
SECTION A-A. LONGITUDINAL SECTION
SCALE 1:50



SECTION B-B. TYPICAL CROSS SECTION
SCALE 1:50



SECTION B-B. TYPICAL CROSS SECTION
(SHOWING A SECOND OPTION FOR THE ESB CABLES)
SCALE 1:50



SECTION C-C. SHOWING TOWPATH CLEARANCES
SCALE 1:50

- NOTES:**
- ALL DIMENSIONS ARE IN METRES UNLESS NOTED OTHERWISE.
 - THE GENERAL ARRANGEMENT IS INDICATIVELY ONLY.
 - PRIOR TO THE EXECUTION OF THE WORKS, THE CONTRACTOR MUST CHECK ON SITE THE GEOMETRY AND DIMENSIONS OF THE EXISTING STRUCTURAL ELEMENTS. SHOULD THE CONTRACTOR FIND ANY DISCREPANCY WITH THOSE INDICATED IN THE DRAWINGS, THEN IT SHALL BE COMMUNICATED IMMEDIATELY TO THE PROJECT DIRECTOR PRIOR COMMENCING CONSTRUCTION WORKS.
 - ALL BURIED SURFACES TO BE WATERPROOFED IN ACCORDANCE WITH THE TII SPECIFICATION FOR ROAD WORKS.
 - FOUNDATION DETAILS SUBJECT TO CONFIRMATION OR RECEIPT OF G.I.
 - SAFETY BARRIER IN ACCORDANCE WITH DN-REG-03034
 - STRUCTURAL STEEL ELEMENTS:
- STEEL S355
 - SERVICES SHOWN INDICATIVELY ONLY. THE CONTRACTOR SHALL IDENTIFY THE SERVICES ON SITE PRIOR COMMENCING CONSTRUCTION WORKS.

Disclaimer
a. © National Transport Authority (NTA) 2022. This drawing is confidential and the copyright in it is owned by NTA. This drawing must not be either loaned, copied or otherwise reproduced in whole or in part or used for any purpose without the prior permission of NTA.
b. This drawing is to be used for the design element identified in the titlebox. Other information shown is to be considered indicative only. The drawing is to be read in conjunction with all other relevant design drawings.
c. O.S. data used for plans are printed under © Ordnance Survey Ireland Government of Ireland. All rights reserved. Licence Number 2022/OSI_NMA_180 National Transport Authority. All elevations are in metres and relate to OSI Geoid Model (OSGM15) Mean Head. All Co-ordinates are in Irish Transverse Mercator Grid (ITM) as defined by OSI active local GPS station.
d. Information concerning the position of apparatus shown on this drawing is based on drawings supplied by the utility owners and/or the utility works contractor, whilst every care has been taken in the preparation of this drawing, positions should be taken as approximate and are intended for general guidance only and no representation is made by the NTA as to the accuracy, completeness, sufficiency or otherwise of this information. The information contained herein does not purport to be comprehensive or final as the apparatus is subject to being altered and/or superceded. Recipients should not rely on this information. Any liabilities are hereby expressly disclaimed.

The information contained herein has been provided by the NTA but does not purport to be comprehensive or final. Recipients should not rely on the information. Neither the NTA nor any of its directors, officers, employees, agents, stakeholders or advisers make any representation or warranty as to, or accept any liability or responsibility in relation to, the adequacy, accuracy, reasonableness or completeness of the information provided as part of this document or any matter on which the information is based (including but not limited to loss or damage arising as a result of reliance by recipients on the information or any part of it). Any liabilities are hereby expressly disclaimed.

The information contained herein has been provided by the NTA but does not purport to be comprehensive or final. Recipients should not rely on the information. Neither the NTA nor any of its directors, officers, employees, agents, stakeholders or advisers make any representation or warranty as to, or accept any liability or responsibility in relation to, the adequacy, accuracy, reasonableness or completeness of the information provided as part of this document or any matter on which the information is based (including but not limited to loss or damage arising as a result of reliance by recipients on the information or any part of it). Any liabilities are hereby expressly disclaimed.



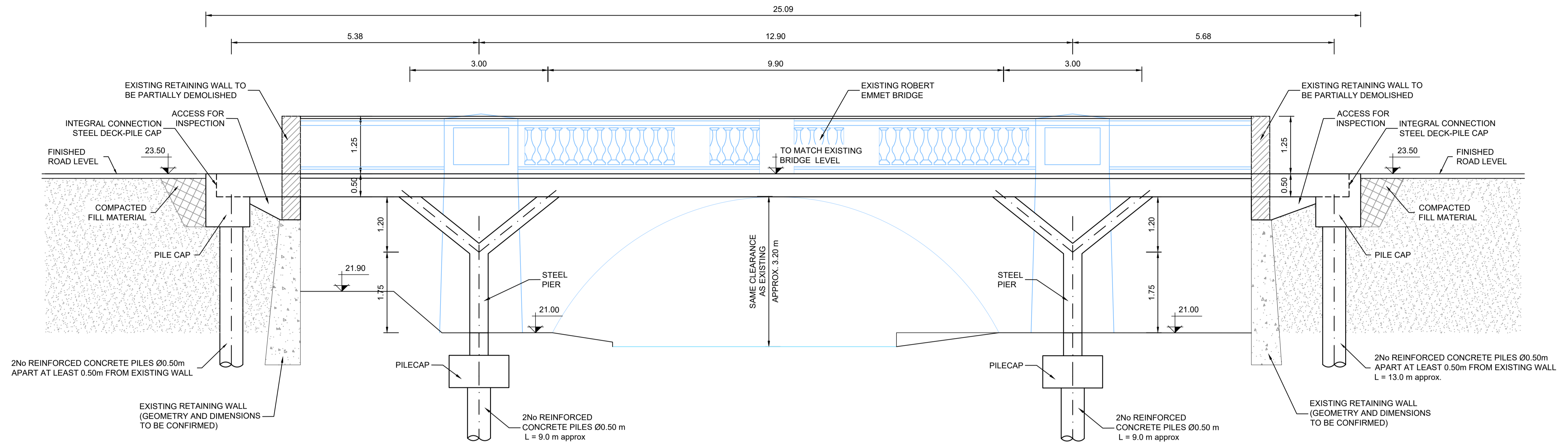
Rev	Date	Drn	Chk'd	App'd	Description
M01	FEB 2023	JGE	EFD	SMG	ISSUE FOR PHASE 4: PLANNING

Client NTA Údarás Náisiúnta Iompair National Transport Authority		Engineering Designer JROD TYPSA		
Date FEB 2023	Scale 1:50 @ A1 1:100 @ A3	Drawn JVG	Checked EFD	Approved SMG
Project Code BCIDD	Originator Code ROT	QMS Code		

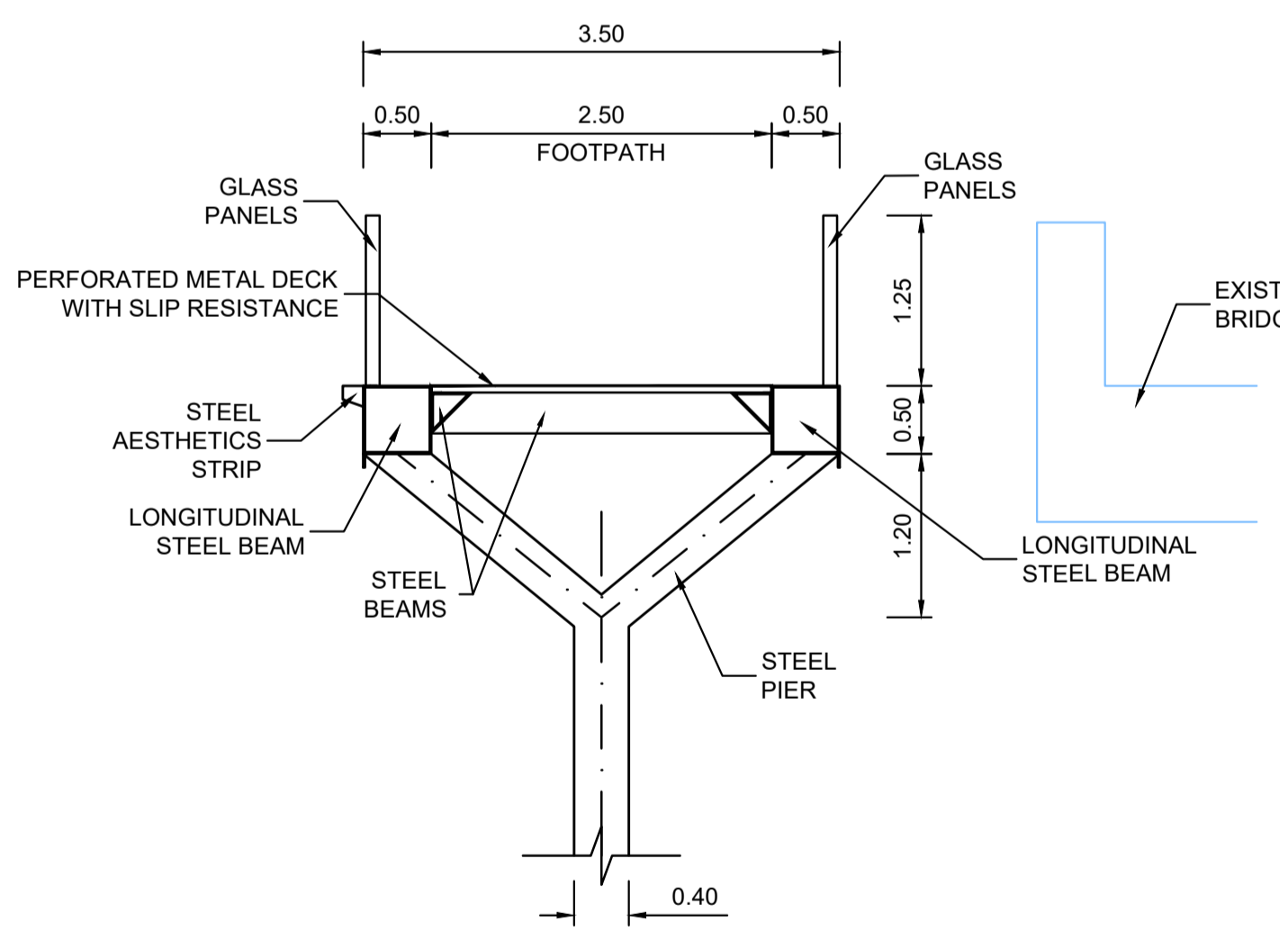
Programme Title BUSCONNECTS DUBLIN CORE BUS CORRIDORS INFRASTRUCTURE WORKS				
Drawing Title CBC11 KIMMAGE TO CITY CENTRE CORE BUS CORRIDOR SCHEME STRUCTURES KIMMAGE 01A. SECTIONS				
Drawing File Name BCIDD-ROT-STR_ZZ-0011_XX_00-DR-SS-0002	Sheet Number 02 of 02	Status A	Rev M01	

DO NOT SCALE USE FIGURED DIMENSIONS ONLY

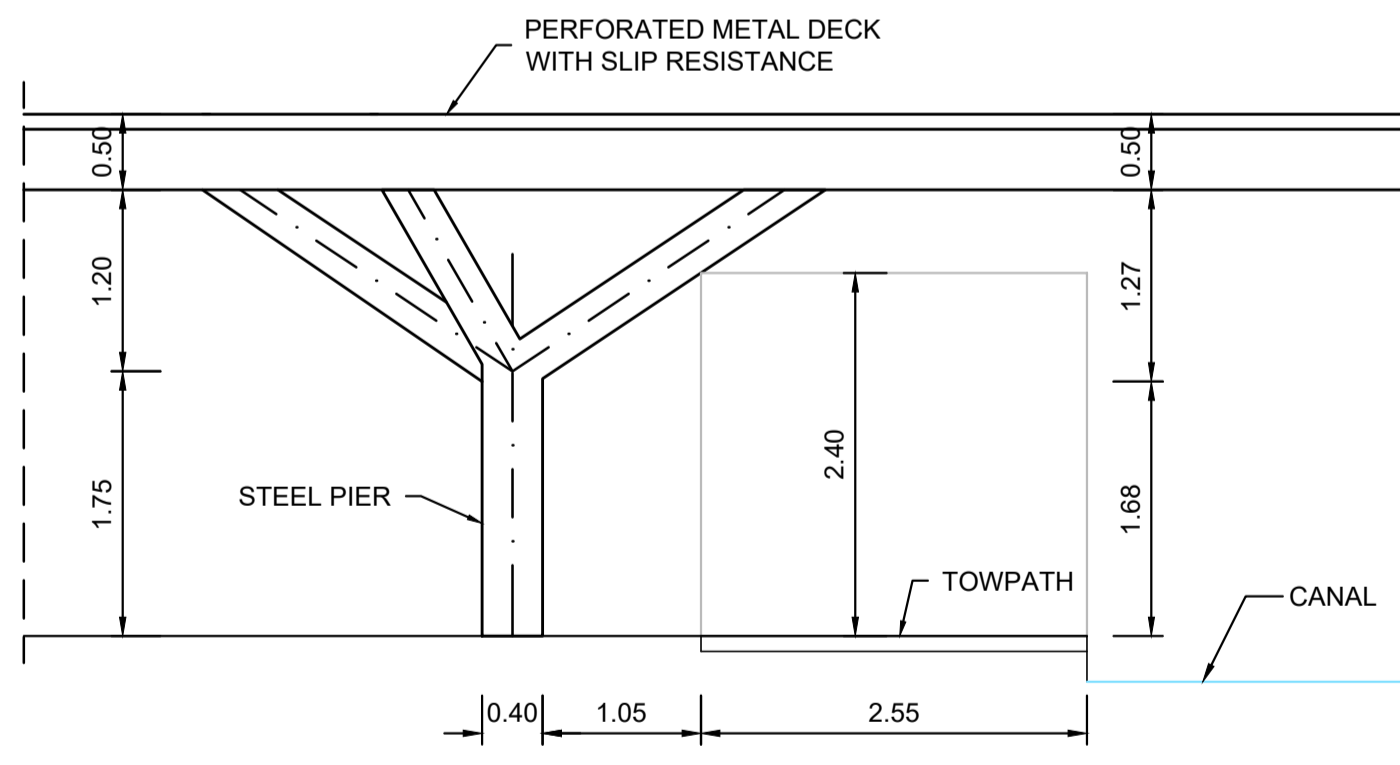
I:\rod\ubarc\hived\1\multimedia\BCIDD-ROT-STR_ZZ-0011_XX_00-DR-SS-0002\BCIDD-ROT-STR_ZZ-0011_XX_00-DR-SS-0002.dwg



SECTION A-A. LONGITUDINAL SECTION
SCALE 1:50



SECTION B-B. TYPICAL CROSS SECTION
SCALE 1:50



SECTION C-C. SHOWING TOWPATH CLEARANCES
SCALE 1:50

NOTES:

- ALL DIMENSIONS ARE IN METRES UNLESS NOTED OTHERWISE.
- THE GENERAL ARRANGEMENT IS INDICATIVELY ONLY.
- PRIOR TO THE EXECUTION OF THE WORKS, THE CONTRACTOR MUST CHECK ON SITE THE GEOMETRY AND DIMENSIONS OF THE EXISTING STRUCTURAL ELEMENTS. SHOULD THE CONTRACTOR FIND ANY DISCREPANCY WITH THOSE INDICATED IN THE DRAWINGS, THEN IT SHALL BE COMMUNICATED IMMEDIATELY TO THE PROJECT DIRECTOR PRIOR COMMENCING CONSTRUCTION WORKS.
- ALL BURIED SURFACES TO BE WATERPROOFED IN ACCORDANCE WITH THE TII SPECIFICATION FOR ROAD WORKS.
- FOUNDATION DETAILS SUBJECT TO CONFIRMATION OR RECEIPT OF G.I.
- SAFETY BARRIER IN ACCORDANCE WITH DN-REG-03034
- STRUCTURAL STEEL ELEMENTS:
- STEEL S355
- SERVICES SHOWN INDICATIVELY ONLY. THE CONTRACTOR SHALL IDENTIFY THE SERVICES ON SITE PRIOR COMMENCING CONSTRUCTION WORKS.

Disclaimer
a. © National Transport Authority (NTA) 2022. This drawing is confidential and the copyright in it is owned by NTA. This drawing must not be either loaned, copied or otherwise reproduced in whole or in part or used for any purpose without the prior permission of NTA.
b. This drawing is to be used for the design element identified in the titleblock. Other information shown is to be considered indicative only. The drawing is to be read in conjunction with all other relevant design drawings.
c. O.S. data used for plans are printed under © Ordnance Survey Ireland Government of Ireland. All rights reserved. Licence Number 2022/OSI_NMA_180 National Transport Authority. All elevations are in metres and relate to OSI Geoid Model (OSGM15) Mean Head. All Co-ordinates are in Irish Transverse Mercator Grid (ITM) as defined by OSI active local GPS station.
d. Information concerning the position of apparatus shown on this drawing is based on drawings supplied by the utility owners and/or the utility works contractor, whilst every care has been taken in the preparation of this drawing, positions should be taken as approximate and are intended for general guidance only and no representation is made by the NTA as to the accuracy, completeness, sufficiency or otherwise of this drawing and the position of the apparatus. The information contained herein does not purport to be comprehensive or final as the apparatus is subject to being altered and/or superceded. Recipients should not rely on this information. Any liabilities are hereby expressly disclaimed.
e. The information contained herein has been provided by the NTA but does not purport to be comprehensive or final. Recipients should not rely on the information. Neither the NTA nor any of its directors, officers, employees, agents, stakeholders or advisers make any representation or warranty as to, or accept any liability or responsibility in relation to, the adequacy, accuracy, reasonableness or completeness of the information provided as part of this document or any matter on which the information is based (including but not limited to loss or damage arising as a result of reliance by recipients on the information or any part of it). Any liabilities are hereby expressly disclaimed.

Project Ireland 2040
Building Ireland's Future

Rev	Date	Drn	Chk'd	App'd	Description
M01	FEB 2023	JGE	EFD	SMG	ISSUE FOR PHASE 4: PLANNING

Client
NTA
Udarás Náisiúnta Iompair
National Transport Authority

Engineering Designer
I-ROD
TYPSA

Date
FEB 2023

Scale
1:50 @ A1
1:100 @ A3

Drawn
JVJ

Checked
EFD

Approved
SMG

Project Code
BCIDD

Originator Code
ROT

QMS Code

Programme Title
BUSCONNECTS DUBLIN
CORE BUS CORRIDORS INFRASTRUCTURE WORKS

Drawing Title
CBC11
KIMMAGE TO CITY CENTRE CORE BUS CORRIDOR SCHEME
STRUCTURES
KIMMAGE 01B. SECTIONS

Drawing File Name
BCIDD-ROT-STR_ZZ-0011_XX_00-DR-SS-0004

Sheet Number
02 of 02

Status
A

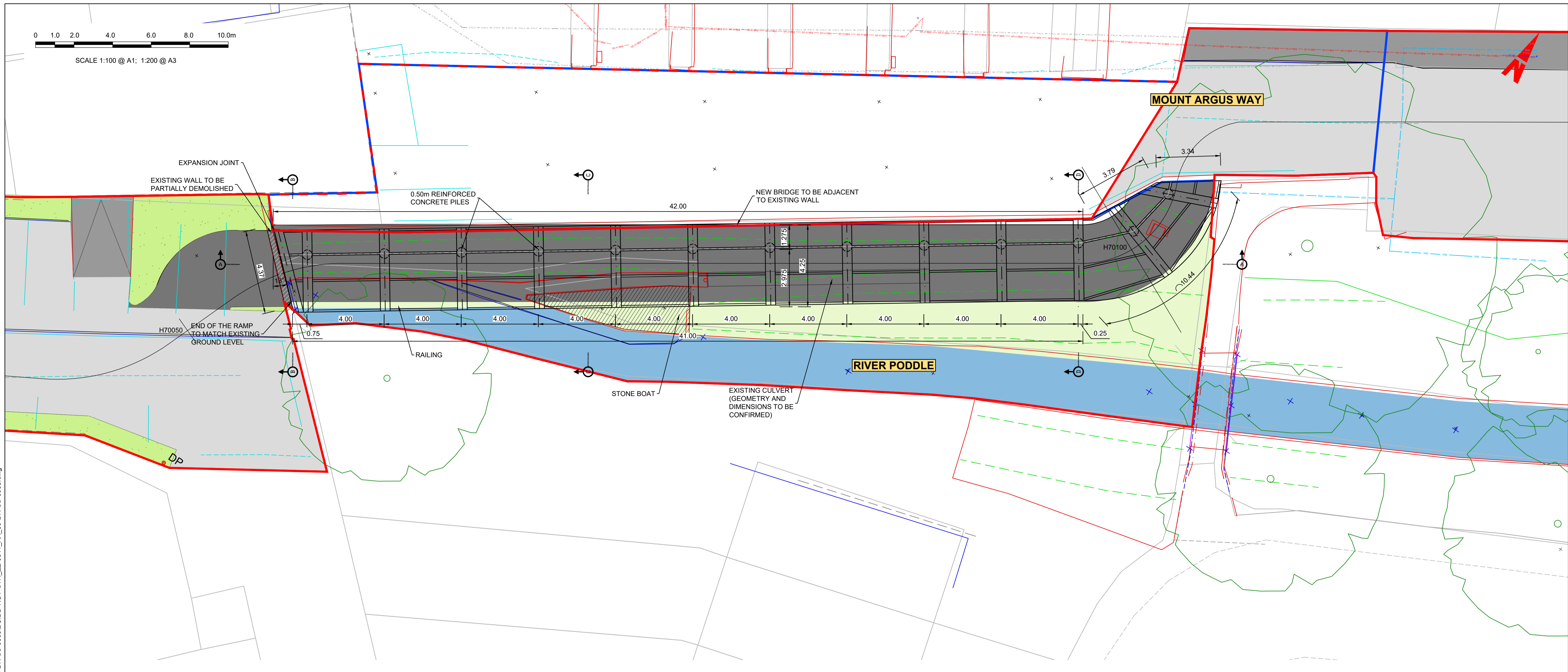
Rev
M01

DO NOT SCALE USE FIGURED DIMENSIONS ONLY

I:\rod\ubarc\hve\01\multimedia\A\FOD\Proj\2019\1911719117-04-RECD\1_TYPSA\2022_12_16 Kimmage Drawings\BCIDD-ROT-STR_ZZ-0011_XX_00-DR-SS-0004.dwg



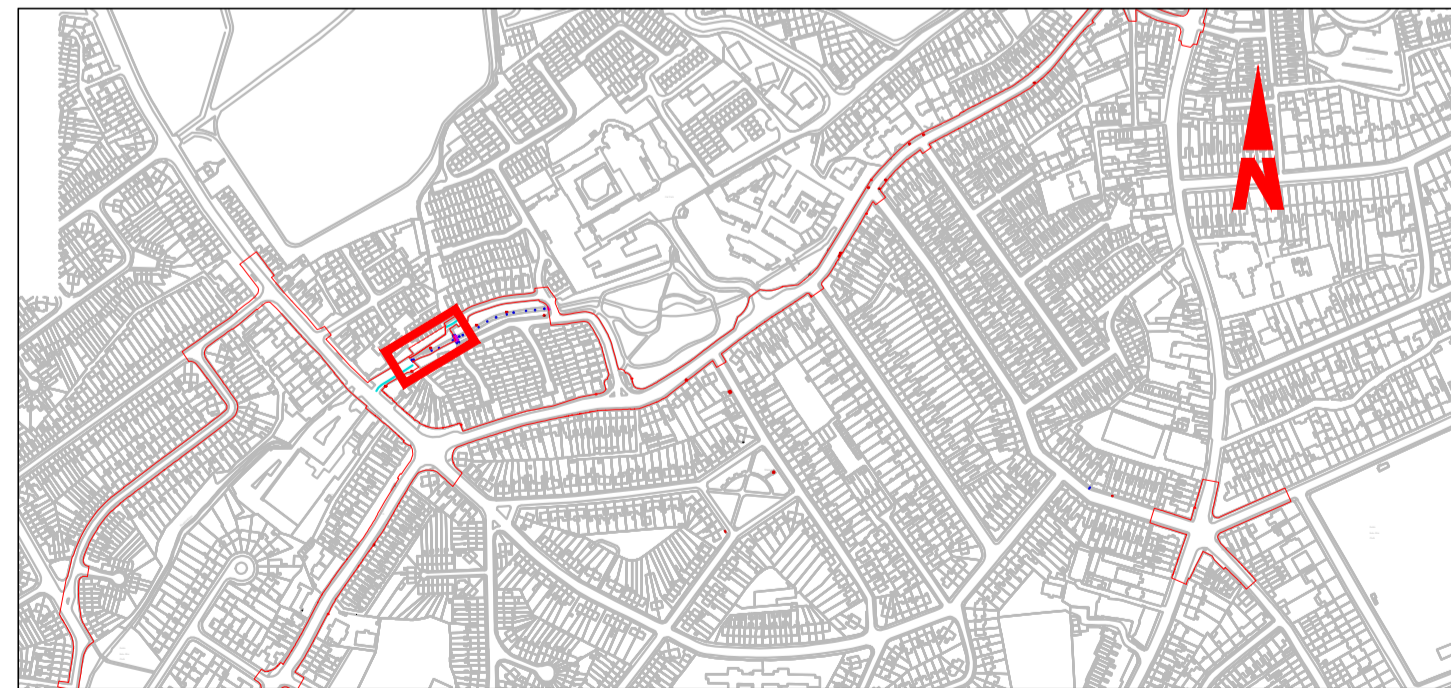
SCALE 1:100 @ A1; 1:200 @ A3



GENERAL PLAN
SCALE 1:100

NOTES:

1. ALL DIMENSIONS ARE IN METRES UNLESS NOTED OTHERWISE.
2. THE GENERAL ARRANGEMENT IS INDICATIVELY ONLY.
3. PRIOR TO THE EXECUTION OF THE WORKS, THE CONTRACTOR MUST CHECK ON SITE THE GEOMETRY AND DIMENSIONS OF THE EXISTING STRUCTURAL ELEMENTS. SHOULD THE CONTRACTOR FIND ANY DISCREPANCY WITH THOSE INDICATED IN THE DRAWINGS, THEN IT SHALL BE COMMUNICATED IMMEDIATELY TO THE PROJECT DIRECTOR PRIOR COMMENCING CONSTRUCTION WORKS.
4. ALL BURIED SURFACES TO BE WATERPROOFED IN ACCORDANCE WITH THE T11 SPECIFICATION FOR ROAD WORKS.
5. FOUNDATION DETAILS SUBJECT TO CONFIRMATION OR RECEIPT OF G.I.
6. SAFETY BARRIER IN ACCORDANCE WITH DN-REG-03034
7. SERVICES SHOWN INDICATIVELY ONLY. THE CONTRACTOR SHALL IDENTIFY THE SERVICES ON SITE PRIOR COMMENCING CONSTRUCTION WORKS.



KEY PLAN

Disclaimer
 a. © National Transport Authority (NTA) 2022. This drawing is confidential and the copyright in it is owned by NTA. This drawing must not be either loaned, copied or otherwise reproduced in whole or in part or used for any purpose without the prior permission of NTA.
 b. This drawing is to be used for the design element identified in the titleblock. Other information shown is to be considered indicative only. The drawing is to be read in conjunction with all other relevant design drawings.
 c. O.S. data used for plans are printed under © Ordnance Survey Ireland Government of Ireland. All rights reserved. Licence Number 2022/OSI_NMA_180 National Transport Authority. All elevations are in metres and relate to OSI Geoid Model (OSGM15) Mean Head. All Co-ordinates are in Irish Transverse Mercator Grid (ITM) as defined by OSI active local GPS station.
 d. Information concerning the position of apparatus shown on this drawing is based on drawings supplied by the utility owners and/or the utility works contractor, whilst every care has been taken in the preparation of this drawing, positions should be taken as approximate and are intended for general guidance only and no representation is made by the NTA as to the accuracy, completeness, sufficiency or otherwise of this drawing and the position of the apparatus. The information contained herein does not purport to be comprehensive or final as the apparatus is subject to being altered and/or superceded. Recipients should not rely on this information. Any liabilities are hereby expressly disclaimed.
 e. The information contained herein has been provided by the NTA but does not purport to be comprehensive or final. Recipients should not rely on the information. Neither the NTA nor any of its directors, officers, employees, agents, stakeholders or advisers make any representation or warranty as to, or accept any liability or responsibility in relation to, the adequacy, accuracy, reasonableness or completeness of the information provided as part of this document or any matter on which the information is based (including but not limited to loss or damage arising as a result of reliance by recipients on the information or any part of it). Any liabilities are hereby expressly disclaimed.



Rev	Date	Drm	Chk'd	App'd	Description
M01	FEB 2023	JVG	EFD	SMG	ISSUE FOR PHASE 4: PLANNING

Client Údarás Náisiúnta Iompair National Transport Authority		Engineering Designer I-ROD TYPSA		
Date	Scale	Drawn	Checked	Approved
FEB 2023	1:100 @ A1 1:200 @ A3	JVG	EFD	SMG
Project Code	Originator Code	QMS Code		
BCIDD	ROT			

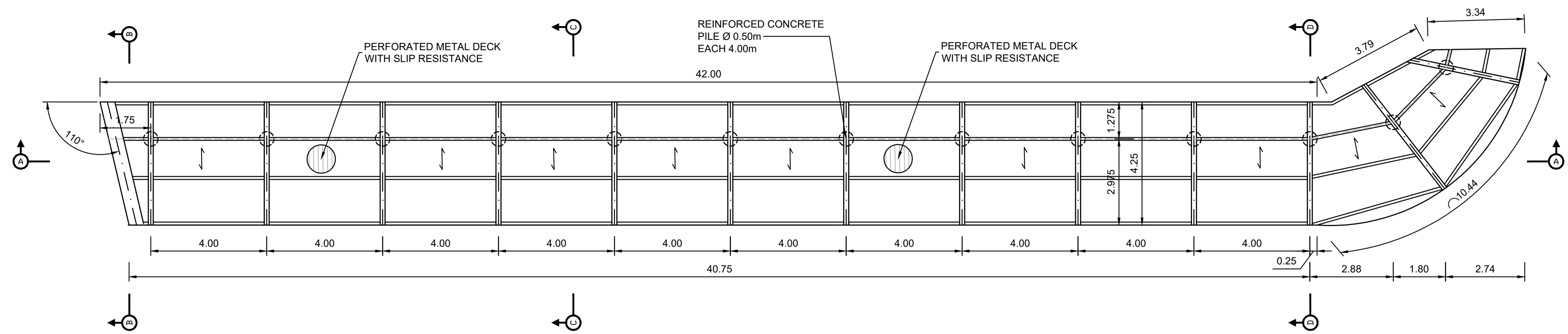
Programme Title BUSCONNECTS DUBLIN CORE BUS CORRIDORS INFRASTRUCTURE WORKS			
Drawing Title CBC11 KIMMAGE TO CITY CENTRE CORE BUS CORRIDOR SCHEME STRUCTURES KIMMAGE 02. GENERAL ARRANGEMENT			
Drawing File Name	Sheet Number	Status	Rev
BCIDD-ROT-STR_ZZ-0011_XX_00-DR-SS-0005	01 of 02	A	M01

DO NOT SCALE USE FIGURED DIMENSIONS ONLY

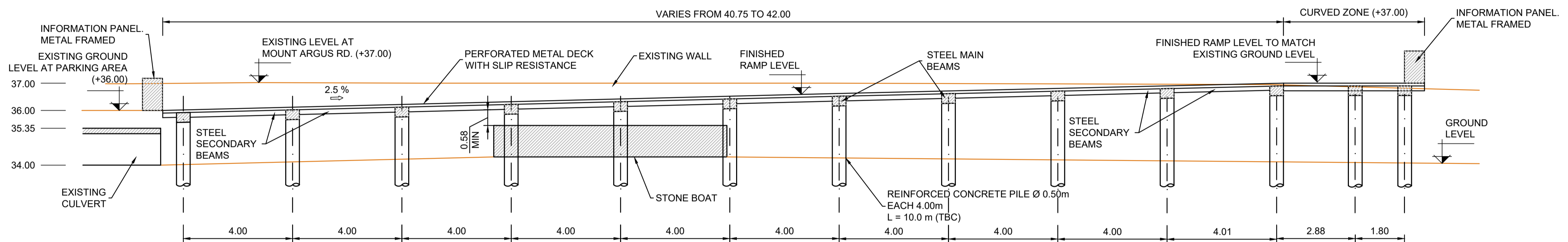
I:\rod\ubarc\hve\01\multimedia\A\FOD\Proj\2019\19117-04-RECDD\TYPSA\2022_12_16\Kimmage Drawings\BCIDD-ROT-STR_ZZ-0011_XX_00-DR-SS-0005.dwg



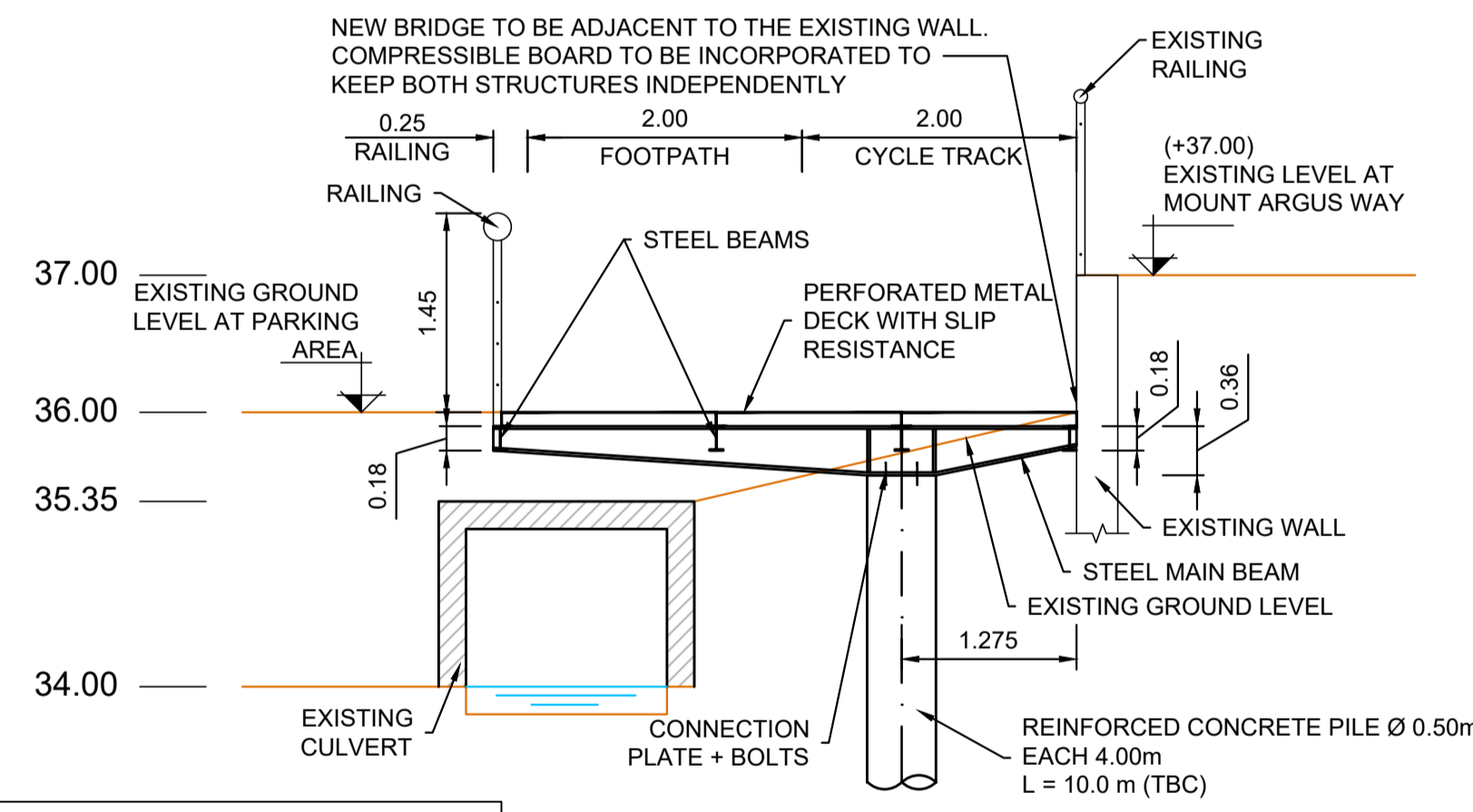
SCALE 1:100 @ A1; 1:200 @ A3



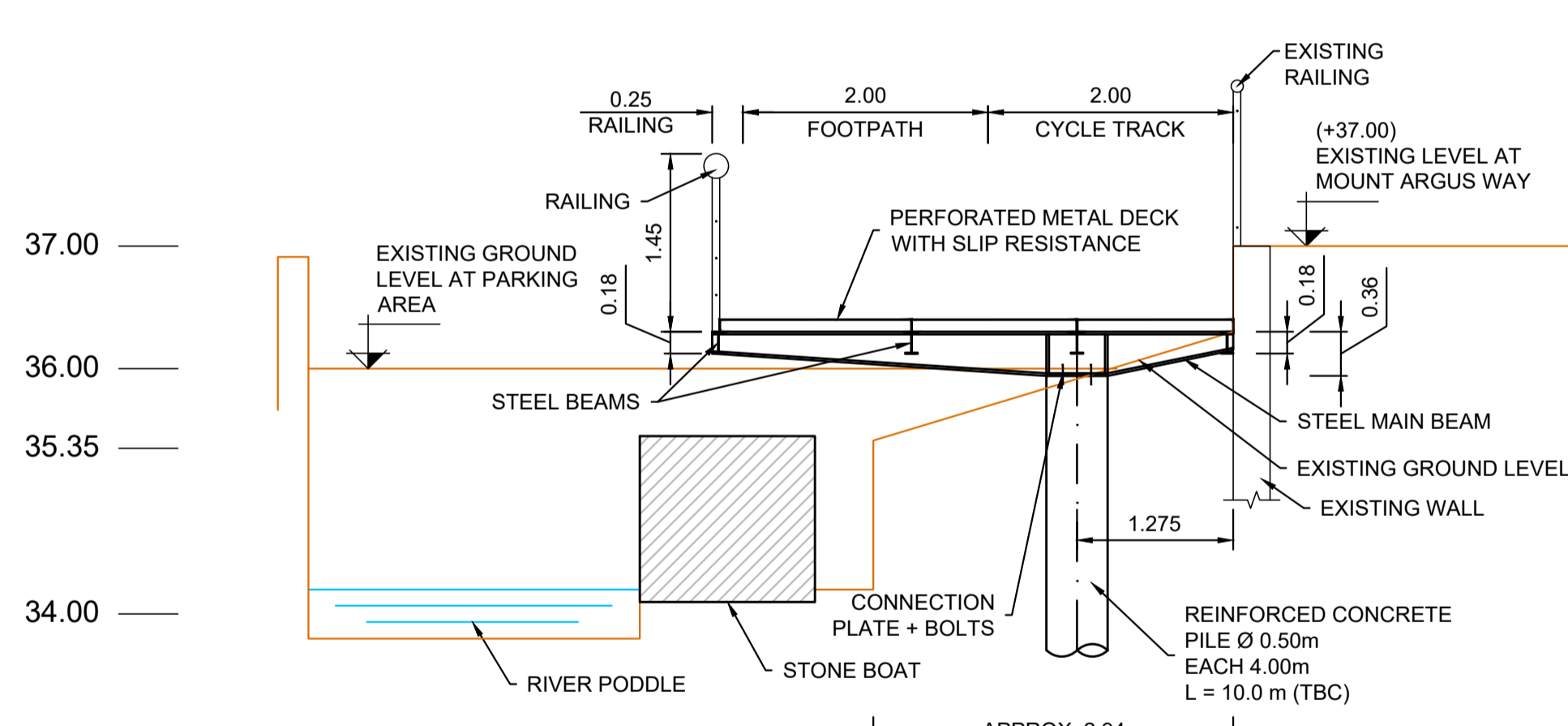
GENERAL PLAN
SCALE 1:100



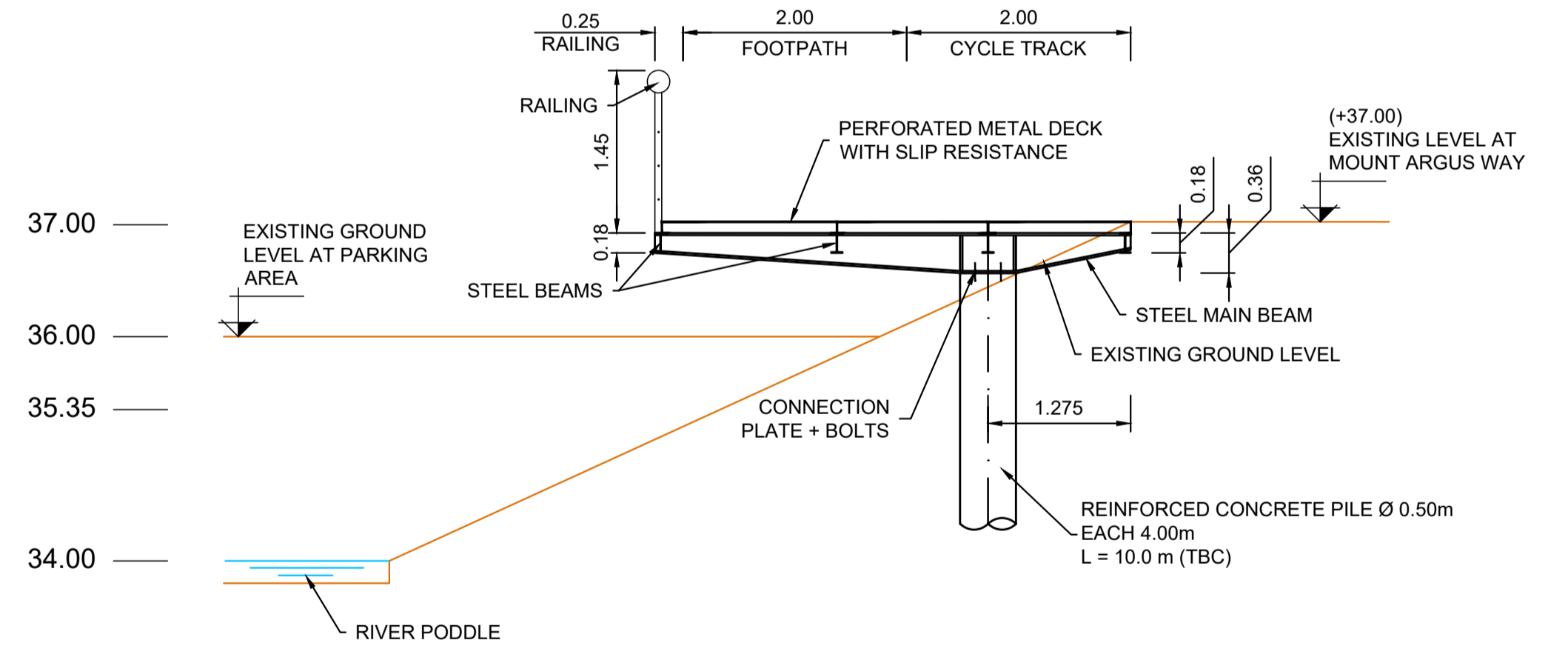
LONGITUDINAL SECTION A-A
SCALE 1:100



SECTION B-B
SCALE 1:50



SECTION C-C
SCALE 1:50



SECTION D-D
SCALE 1:50

NOTES:

- ALL DIMENSIONS ARE IN METRES UNLESS NOTED OTHERWISE.
- THE GENERAL ARRANGEMENT IS INDICATIVELY ONLY.
- PRIOR TO THE EXECUTION OF THE WORKS, THE CONTRACTOR MUST CHECK ON SITE THE GEOMETRY AND DIMENSIONS OF THE EXISTING STRUCTURAL ELEMENTS. SHOULD THE CONTRACTOR FIND ANY DISCREPANCY WITH THOSE INDICATED IN THE DRAWINGS, THEN IT SHALL BE COMMUNICATED IMMEDIATELY TO THE PROJECT DIRECTOR PRIOR COMMENCING CONSTRUCTION WORKS.
- ALL BURIED SURFACES TO BE WATERPROOFED IN ACCORDANCE WITH THE TII SPECIFICATION FOR ROAD WORKS.
- FOUNDATION DETAILS SUBJECT TO CONFIRMATION OR RECEIPT OF G.I.
- SAFETY BARRIER IN ACCORDANCE WITH DN-REG-03034
- SERVICES SHOWN INDICATIVELY ONLY. THE CONTRACTOR SHALL IDENTIFY THE SERVICES ON SITE PRIOR COMMENCING CONSTRUCTION WORKS.

Disclaimer
 a. © National Transport Authority (NTA) 2022. This drawing is confidential and the copyright in it is owned by NTA. This drawing must not be either loaned, copied or otherwise reproduced in whole or in part or used for any purpose without the prior permission of NTA.
 b. This drawing is to be used for the design element identified in the titlebox. Other information shown is to be considered indicative only. The drawing is to be read in conjunction with all other relevant design drawings.
 c. O.S. data used for plans are printed under © Ordnance Survey Ireland Government of Ireland. All rights reserved. Licence Number 2022/OSI_NMA_180 National Transport Authority. All elevations are in metres and relate to OSI Geoid Model (OSGM15) Mean Head. All Co-ordinates are in Irish Transverse Mercator Grid (ITM) as defined by OSI active local GPS station.
 d. Information concerning the position of apparatus shown on this drawing is based on drawings supplied by the utility owners and/or the utility works contractor, whilst every care has been taken in the preparation of this drawing, positions should be taken as approximate and are intended for general guidance only and no representation is made by the NTA as to the accuracy, completeness, sufficiency or otherwise of this drawing and the position of the apparatus. The information contained herein does not purport to be comprehensive or final as the apparatus is subject to being altered and/or superseded. Recipients should not rely on this information. Any liabilities are hereby expressly disclaimed.
 e. The information contained herein has been provided by the NTA but does not purport to be comprehensive or final. Recipients should not rely on the information. Neither the NTA nor any of its directors, officers, employees, agents, stakeholders or advisers make any representation or warranty as to, or accept any liability or responsibility in relation to, the adequacy, accuracy, reasonableness or completeness of the information provided as part of this document or any matter on which the information is based (including but not limited to loss or damage arising as a result of reliance by recipients on the information or any part of it). Any liabilities are hereby expressly disclaimed.



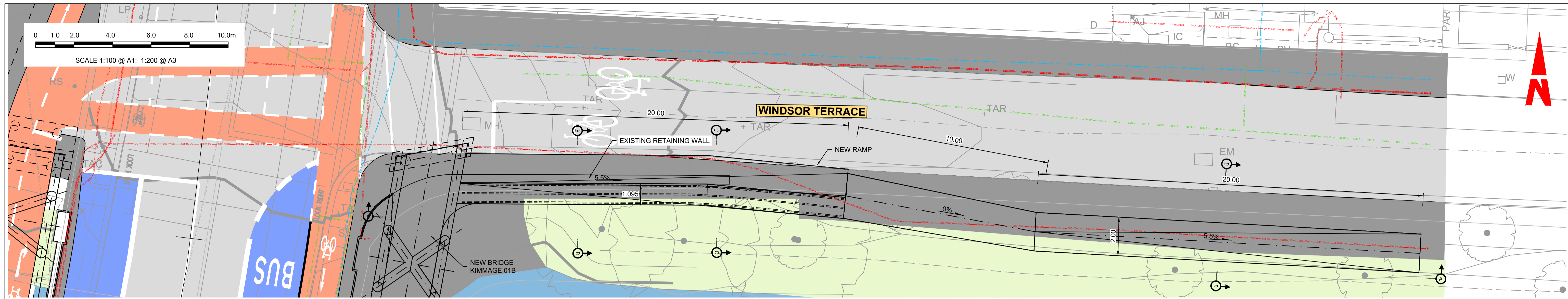
Rev	Date	Drn	Chk'd	App'd	Description
M01	FEB 2023	JGE	EFD	SMG	ISSUE FOR PHASE 4: PLANNING

Client NTA Údarás Náisiúnta Iompair National Transport Authority		Engineering Designer PROD TYPSA		
Date FEB 2023	Scale 1:100 @ A1 1:200 @ A3	Drawn JVJ	Checked EFD	Approved SMG
Project Code BCIDD	Originator Code ROT	QMS Code		

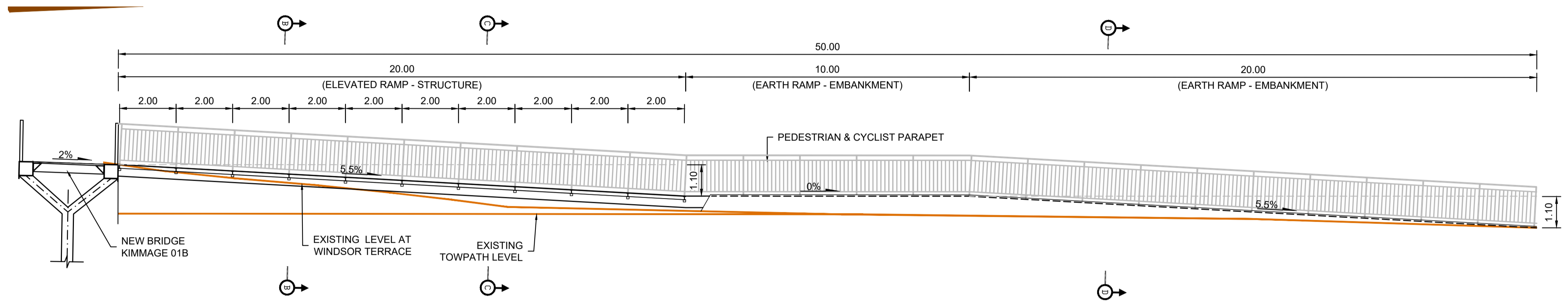
Programme Title BUSCONNECTS DUBLIN CORE BUS CORRIDORS INFRASTRUCTURE WORKS	
Drawing Title CBC11 KIMMAGE TO CITY CENTRE CORE BUS CORRIDOR SCHEME STRUCTURES KIMMAGE 02. PLAN VIEW & SECTIONS	
Drawing File Name BCIDD-ROT-STR_ZZ-0011_XX_00-DR-SS-0006	Sheet Number 02 of 02
Status A	Rev M01

DO NOT SCALE USE FIGURED DIMENSIONS ONLY

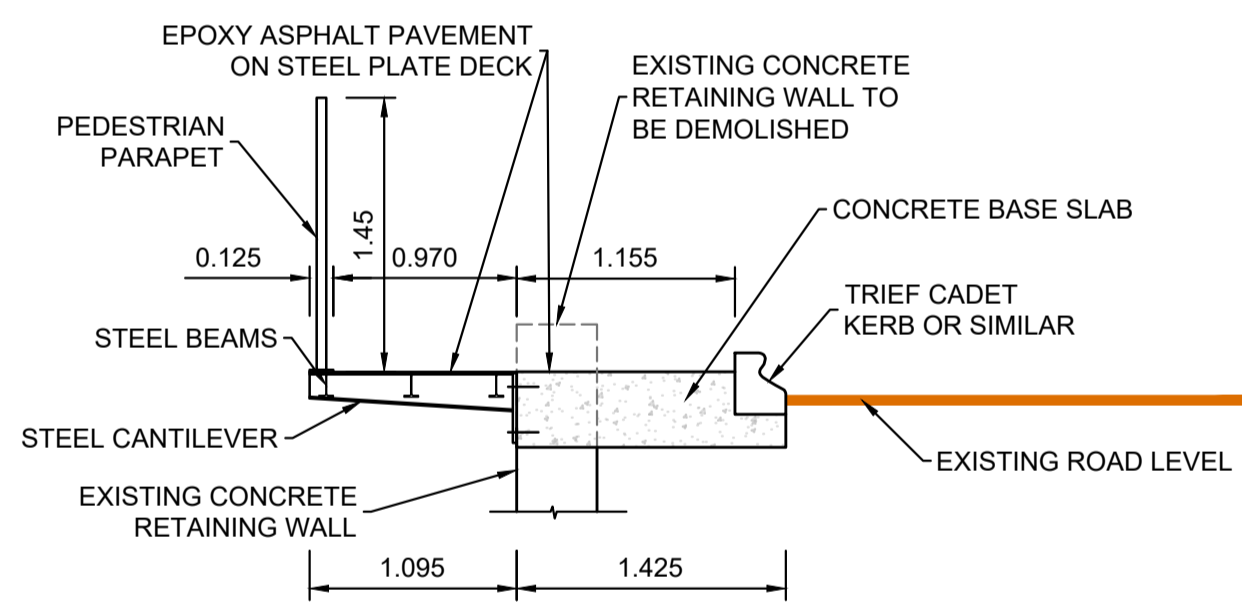
I:\rod\archived\01\multimedia\ROD\Proj\2019\119117-04-RECCD\TYPSA\2022_12_16\Kimmage Drawings\BCIDD-ROT-STR_ZZ-0011_XX_00-DR-SS-0006\BCIDD-ROT-STR_ZZ-0011_XX_00-DR-SS-0006.dwg



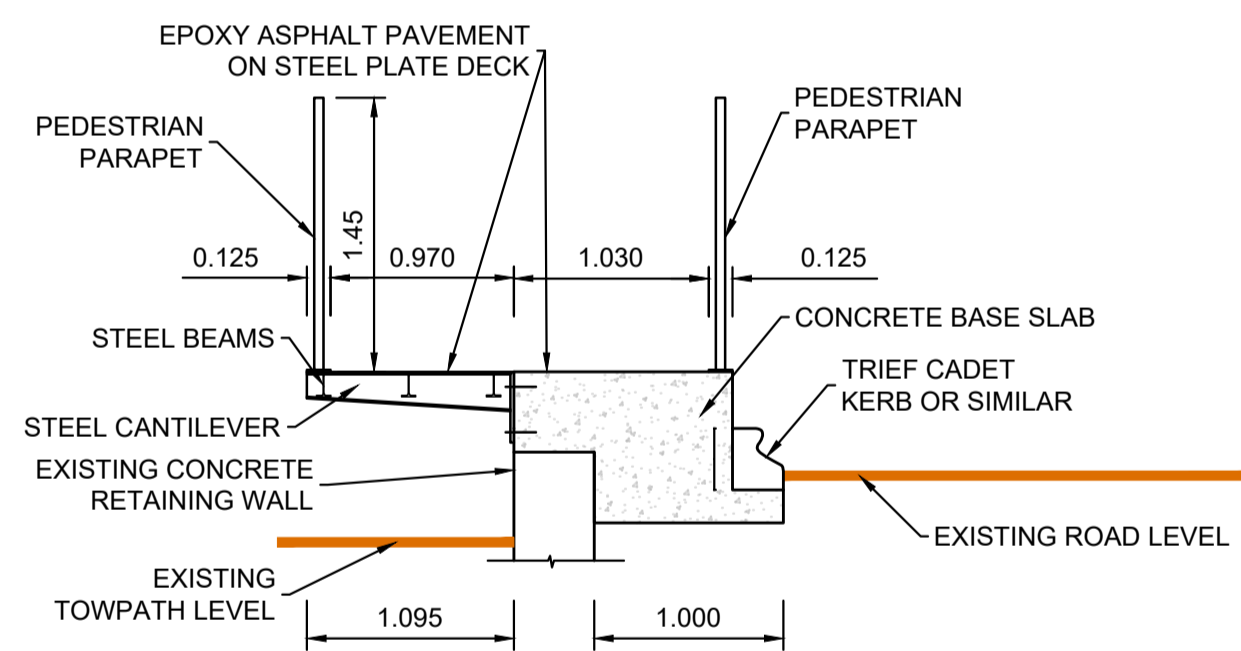
GENERAL PLAN
SCALE 1:100



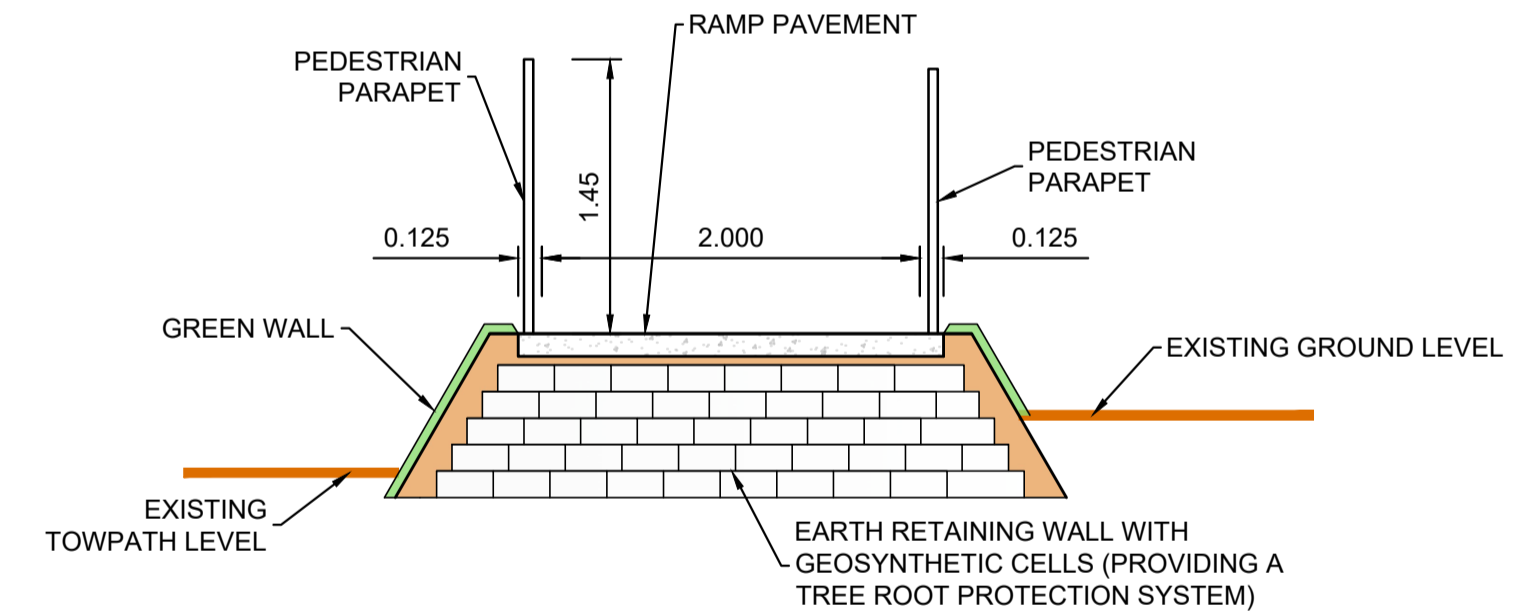
LONGITUDINAL SECTION A-A
SCALE 1:100



SECTION B-B
SCALE 1:40



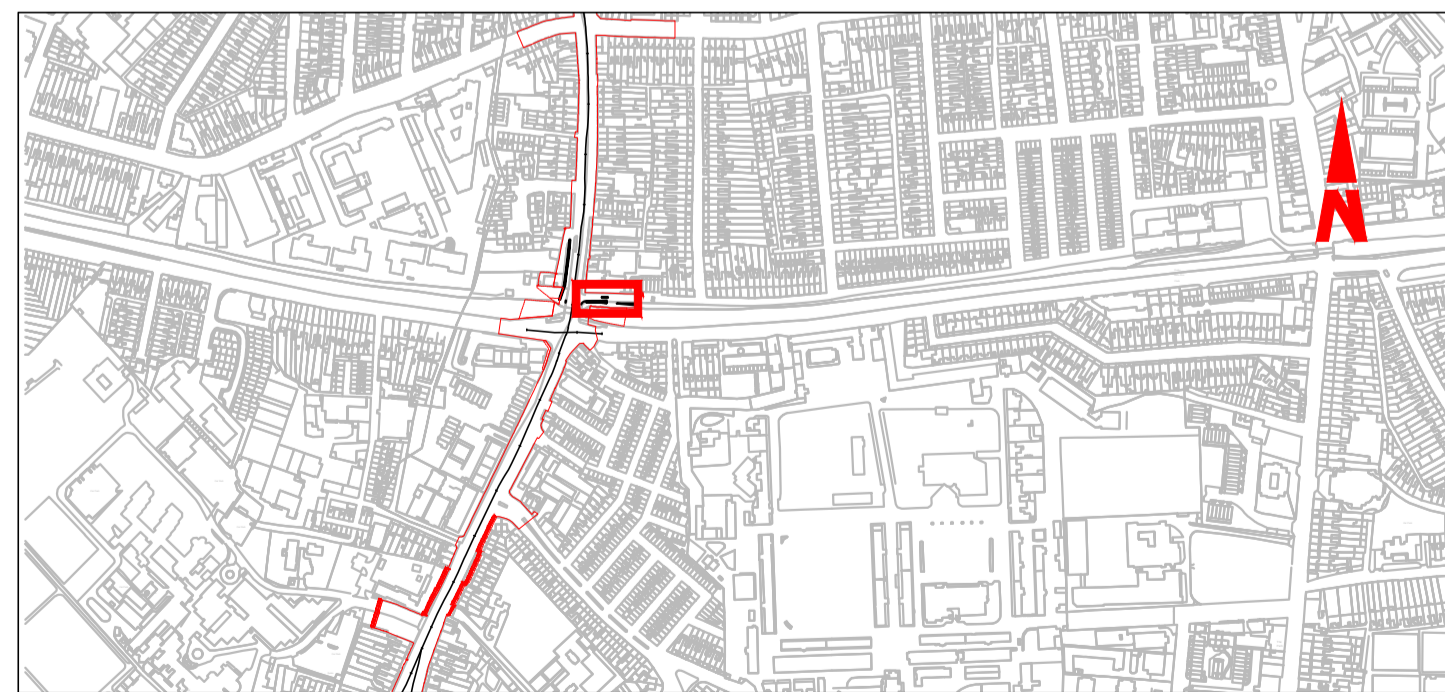
SECTION C-C
SCALE 1:40



SECTION D-D
SCALE 1:40

NOTES:

- ALL DIMENSIONS ARE IN METRES UNLESS NOTED OTHERWISE.
- THE GENERAL ARRANGEMENT IS INDICATIVELY ONLY.
- PRIOR TO THE EXECUTION OF THE WORKS, THE CONTRACTOR MUST CHECK ON SITE THE GEOMETRY AND DIMENSIONS OF THE EXISTING STRUCTURAL ELEMENTS. SHOULD THE CONTRACTOR FIND ANY DISCREPANCY WITH THOSE INDICATED IN THE DRAWINGS, THEN IT SHALL BE COMMUNICATED IMMEDIATELY TO THE PROJECT DIRECTOR PRIOR COMMENCING CONSTRUCTION WORKS.
- ALL BURIED SURFACES TO BE WATERPROOFED IN ACCORDANCE WITH THE TII SPECIFICATION FOR ROAD WORKS.
- FOUNDATION DETAILS SUBJECT TO CONFIRMATION OR RECEIPT OF G.I.
- SAFETY BARRIER IN ACCORDANCE WITH DN-REG-03034
- STRUCTURAL STEEL ELEMENTS:
- STEEL S355
- SERVICES SHOWN INDICATIVELY ONLY. THE CONTRACTOR SHALL IDENTIFY THE SERVICES ON SITE PRIOR COMMENCING CONSTRUCTION WORKS.



KEY PLAN

Disclaimer:
a. © National Transport Authority (NTA) 2022. This drawing is confidential and the copyright in it is owned by NTA. This drawing must not be either loaned, copied or otherwise reproduced in whole or in part or used for any purpose without the prior permission of NTA.
b. This drawing is to be used for the design element identified in the titleblock. Other information shown is to be considered indicative only. The drawing is to be read in conjunction with all other relevant design drawings.
c. O.S. data used for plans are printed under © Ordnance Survey Ireland Government of Ireland. All rights reserved. Licence Number 2022/O.SI_NMA_180 National Transport Authority. All elevations are in metres and relate to OSI Geoid Model (OSGM15) Mean Head. All Co-ordinates are in Irish Transverse Mercator Grid (ITM) as defined by OSI active local GPS station.
d. Information concerning the position of apparatus shown on this drawing is based on drawings supplied by the utility owners and/or the utility works contractor, whilst every care has been taken in the preparation of this drawing, positions should be taken as approximate and are intended for general guidance only and no representation is made by the NTA as to the accuracy, completeness, sufficiency or otherwise of this drawing and the position of the apparatus. The information contained herein does not purport to be comprehensive or final as the apparatus is subject to being altered and/or superceded. Recipients should not rely on this information. Any liabilities are hereby expressly disclaimed.
e. The information contained herein has been provided by the NTA but does not purport to be comprehensive or final. Recipients should not rely on the information. Neither the NTA nor any of its directors, officers, employees, agents, stakeholders or advisers make any representation or warranty as to, or accept any liability or responsibility in relation to, the adequacy, accuracy, reasonableness or completeness of the information provided as part of this document or any matter on which the information is based (including but not limited to loss or damage arising as a result of reliance by recipients on the information or any part of it). Any liabilities are hereby expressly disclaimed.



Rev	Date	Drn	Chk'd	App'd	Description
M01	FEB 2023	JVG	EFD	SMG	ISSUE FOR PHASE 4: PLANNING

Client
NTA
Udarás Náisiúnta Iompair
National Transport Authority

Engineering Designer
PROD
TYPSA

Date	Scale	Drawn	Checked	Approved
FEB 2023	1:100 @ A1 1:200 @ A3	JVG	EFD	SMG

Project Code: BCIDD
Originator Code: ROT
QMS Code:

Programme Title
BUSCONNECTS DUBLIN
CORE BUS CORRIDORS INFRASTRUCTURE WORKS

Drawing Title
CBC11
KIMMAGE TO CITY CENTRE CORE BUS CORRIDOR SCHEME
STRUCTURES
KIMMAGE 04. GENERAL ARRANGEMENT

Drawing File Name	Sheet Number	Status	Rev
BCIDD-ROT-STR_ZZ-0011_XX_00-DR-SS-0008	01 of 01	A	M01